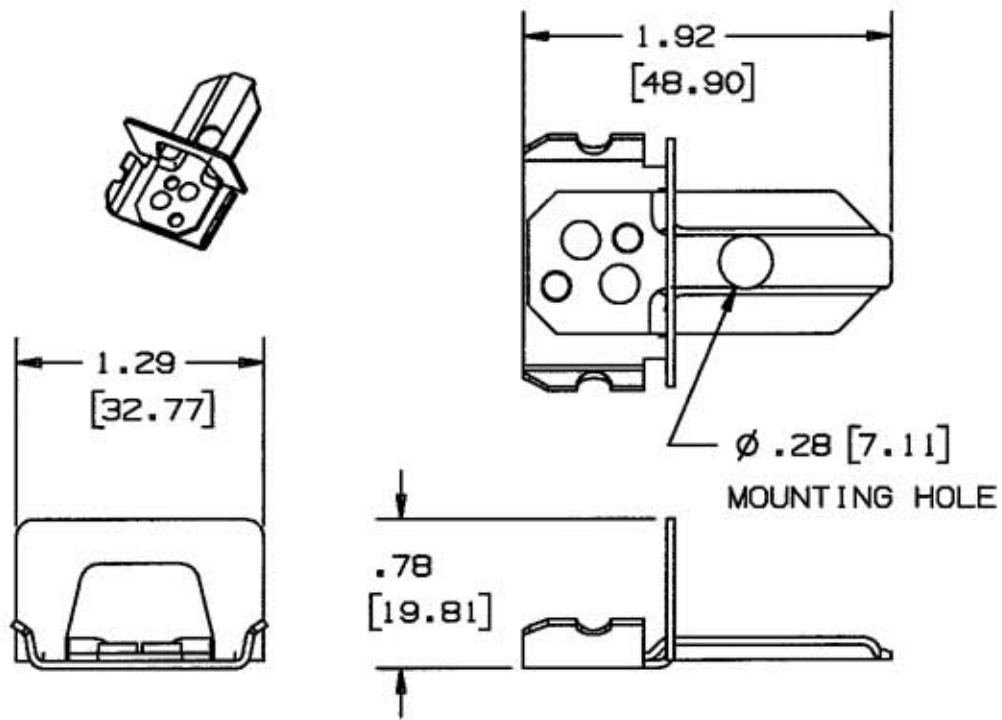
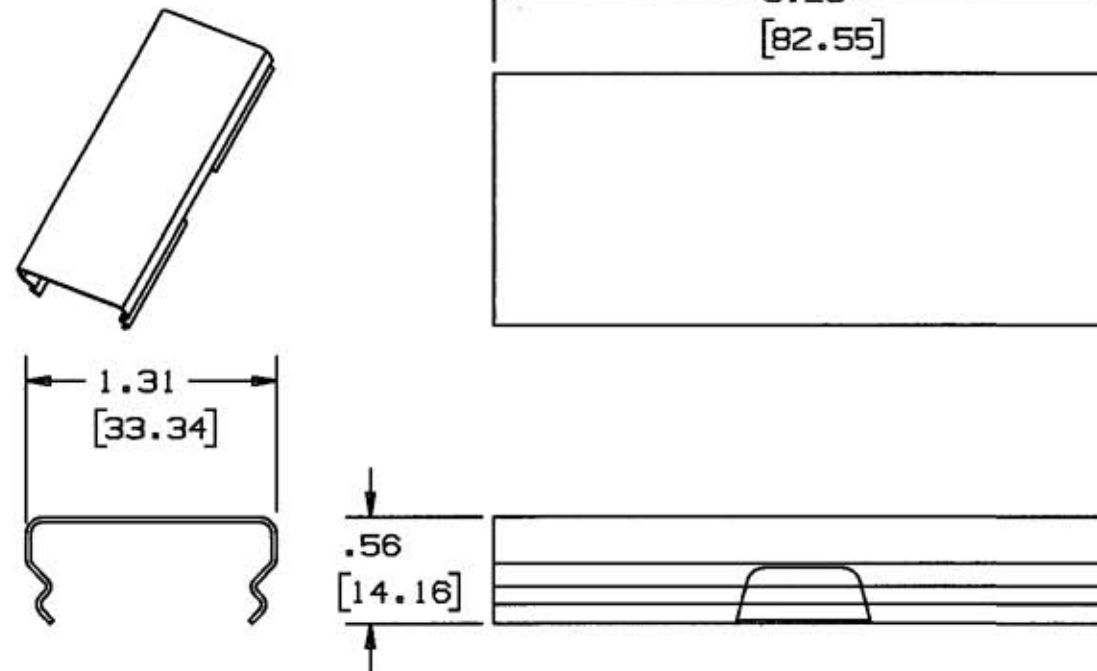


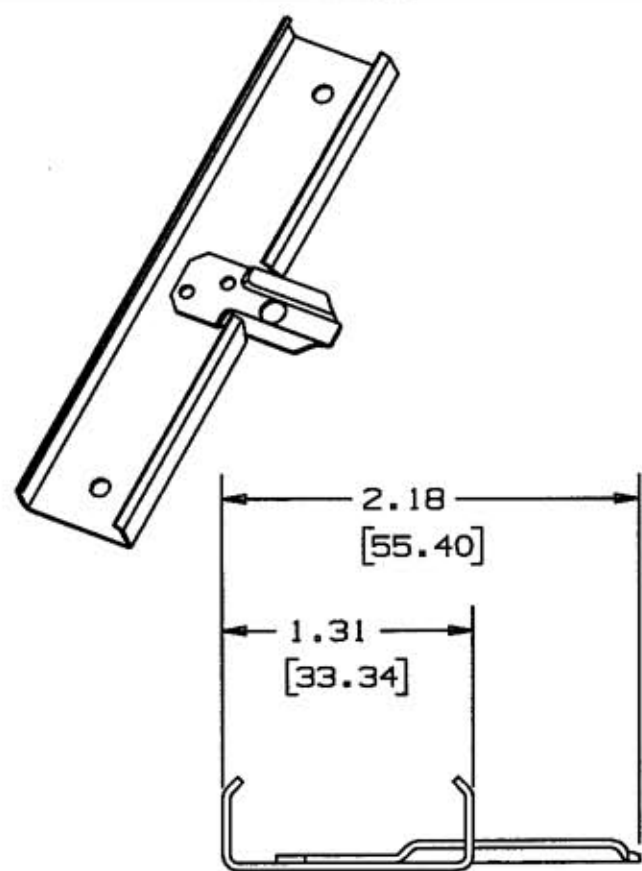
M-10386 1



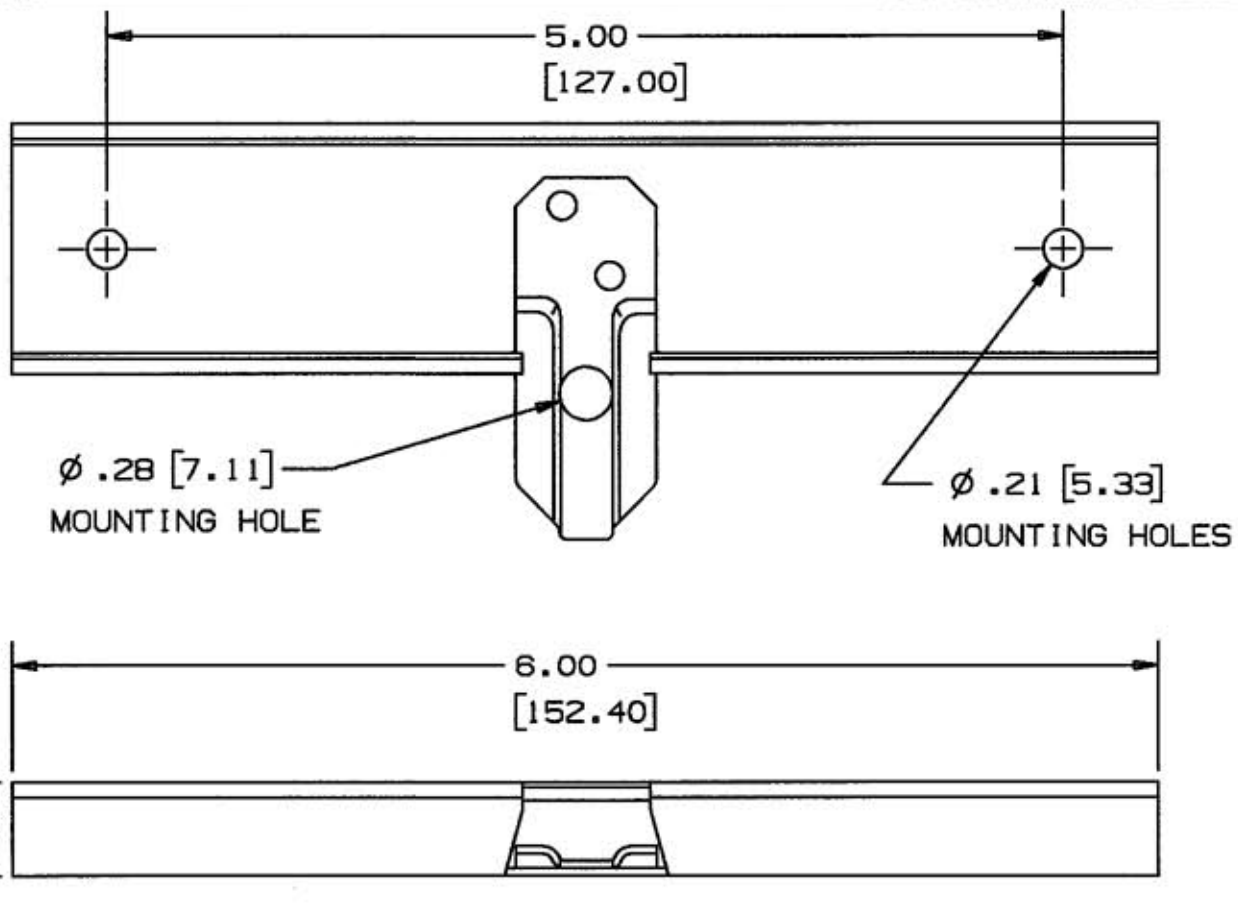
END REDUCING CONNECTOR
CAT. NO. HBL2089EIV



REDUCING CONNECTOR COVER
CAT. NO. HBL 2089IV COLOR IVORY



SIDE REDUCING CONNECTOR BASE
CAT. NO. HBL2089IV



NOTE: ALL DIMENSIONS IN INCHES AND [MM]

LIST OF PARTS

DESCRIPTION	MATERIAL	FINISH
CONNECTION BASES	STEEL	GALVANIZED & PAINT
COVER	STEEL	PAINTED

DIMENSION SHEET FOR CAT. NO.

REPAIRABLE NON-REPAIRABLE

B

M-10386

1

1	RELEASED PER DCN 13549	11/14/06
SYM	REVISIONS	APP DATE

THE DESIGN AND DIMENSIONS OF THE PRODUCT SHOWN ON THIS DRAWING ARE SUBJECT TO CHANGE WITHOUT NOTICE

TITLE
END REDUCING & SIDE REDUCING CONNECTIONS
HBL2000 SERIES

TOLERANCES UNLESS OTHERWISE SPECIFIED	WIRING DEVICE-KELLEMS HUBBELL INCORPORATED BRIDGEPORT, CT	
FRACTIONS ± 1/84	DR. BY SRE	APP. BY
DECIMALS ± .005	TR. BY	SCALE 1:1
ANGLES ± 2°	CHK'D BY	DATE 11/14/06